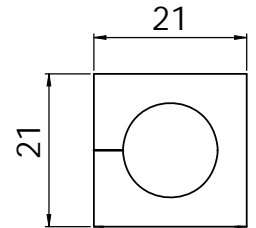


KT

Grommets, small, single



1

Description	Type	Order No gray	Order No black	Clamping range	PU
-------------	------	------------------	-------------------	----------------	----

Product Description

Cable grommets KT small are used with the following cable entry frames:

KEL-U/KEL-ER/KEL (8 - 34) | KVT (38 - 42)

The model range KT small is designed for cable diameters from 2 to 17 mm.

Assembly Note


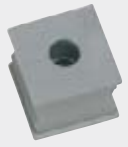

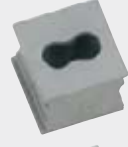



When installing the grommets, the flat side should be facing the middle of the frame. This allows the flat sides of adjacent grommets to match up and provide a secure seal.

Specifications KT gray

Material	Elastomer
Flame class	UL94-Vo
IP rating	KT round, single: up to IP65 (in combination with KEL-ER frame) KT special/blank: IP54
NEMA type rating	up to NEMA type 4X (acc. to UL 50E)
Temperature	- 30°C to + 90°C (static) - 40°F to + 194°F (static)
Properties	Halogen-free, silicone-free

Specifications KT black

Material	Elastomer
Flame class	UL94-HB
IP rating	KT round, single: up to IP65 (in combination with KEL-ER frame) KT special/blank: IP54
NEMA type rating	up to NEMA type 4X (acc. to UL 50E)
Temperature	- 30°C to + 90°C (static) - 40°F to + 194°F (static)
Properties	Higher chemical resistance

BTK		BTK	<input type="checkbox"/> 41251	<input checked="" type="checkbox"/> 41351	Blank grommet	10
KT round		KT 2	<input type="checkbox"/> 39934	<input checked="" type="checkbox"/> 41302	2 - 3 mm	10
		KT 3	<input type="checkbox"/> 41203	<input checked="" type="checkbox"/> 41303	3 - 4 mm	10
		KT 4	<input type="checkbox"/> 41204	<input checked="" type="checkbox"/> 41304	4 - 5 mm	10
		KT 5	<input type="checkbox"/> 41205	<input checked="" type="checkbox"/> 41305	5 - 6 mm	10
		KT 6	<input type="checkbox"/> 41206	<input checked="" type="checkbox"/> 41306	6 - 7 mm	10
		KT 7	<input type="checkbox"/> 41207	<input checked="" type="checkbox"/> 41307	7 - 8 mm	10
		KT 8	<input type="checkbox"/> 41208	<input checked="" type="checkbox"/> 41308	8 - 9 mm	10
		KT 9	<input type="checkbox"/> 41209	<input checked="" type="checkbox"/> 41309	9 - 10 mm	10
		KT 10	<input type="checkbox"/> 41210	<input checked="" type="checkbox"/> 41310	10 - 11 mm	10
		KT 11	<input type="checkbox"/> 41211	<input checked="" type="checkbox"/> 41311	11 - 12 mm	10
		KT 12	<input type="checkbox"/> 41212	<input checked="" type="checkbox"/> 41312	12 - 13 mm	10
		KT 13	<input type="checkbox"/> 41213	<input checked="" type="checkbox"/> 41313	13 - 14 mm	10
		KT 14	<input type="checkbox"/> 41214	<input checked="" type="checkbox"/> 41314	14 - 15 mm	10
		KT 15	<input type="checkbox"/> 41215	<input checked="" type="checkbox"/> 41315	15 - 16 mm	10
		KTs 16	<input type="checkbox"/> 39901	<input checked="" type="checkbox"/> 39912	16 mm	10
		KTs 17	<input type="checkbox"/> 39900	<input checked="" type="checkbox"/> 39913	17 mm	10
		KT oval		KT oval	<input type="checkbox"/> 39930	-
KT S1		KT S1	<input type="checkbox"/> 39931	-		10
KT tele		KT tele	<input type="checkbox"/> 39929	-	Telephone cable	10
KT tele1		KT tele1	<input type="checkbox"/> 41257	-	Data cable RJ12	10
KT tele2		KT tele2	<input type="checkbox"/> 41258	-	Data cable RJ10 / RJ45	10

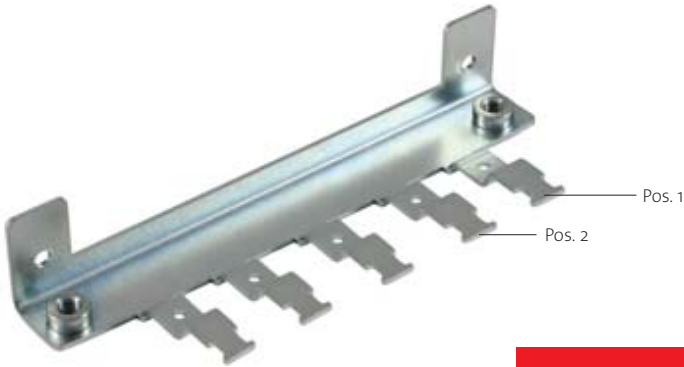
*Only valid for gray product types

Accessories

ST Plugs 49

KEL-EMC-Z

Grounding Mount with Strain Relief



Type	Order No.	No. of teeth	Fastening	Fits with	PU
------	-----------	--------------	-----------	-----------	----

KEL-EMC-Z 16 4	36525	4	long side	KEL-E4 KEL 16 x KEL-U 16 x KEL-ER 16 x KEL-QUICK 16	1
KEL-EMC-Z 24 5	36527	5	long side	KEL-E5 KEL 24 x KEL-U 24 x KEL-ER 24 x KEL-QUICK 24	1

Product Description

Cable entry, EMC shielding and strain relief – all in one location!

Cables pass through the KEL cable entry and insert directly to the EMC clamps and strain relief.

Simply insert the cable shield into the shield clamp and secure the cable jacket to the strain relief. Two separate functions acc. to regulations – carried out quickly and easily!

Custom configurations are available for shield clamps up to 16 mm in diameter with minimal order quantities and lead time.

Advantages & Benefits

- Large surface contact between cable shield and housing, especially on conductive coated surfaces
- Sealing by outer cable jacket – EMC shielding by cable shield (in acc. with regulations)
- Combined routing and fastening with the KEL cable entry system
- Available without SKL shield clamps if only additional strain relief is required
- Mounting hole for ground strap or PE connection

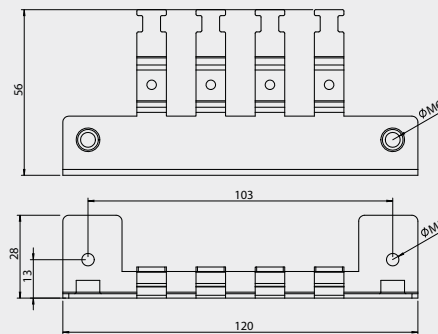
Specifications

Material Carbon steel, zinc plated

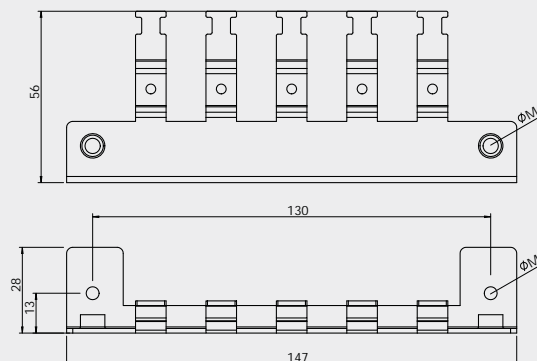
Compatible with

KEL-U Cable entry frames	8 - 14
KEL-ER Cable entry frames	9 - 17
KEL Cable entry frames	16 - 27
KEL-QUICK Cable entry frames	50 - 51

KEL-EMC-Z 16|4

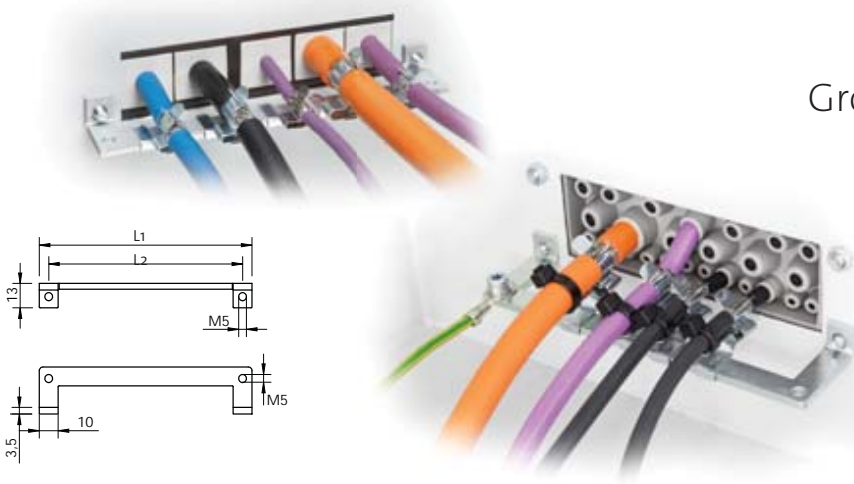


KEL-EMC-Z 24|5



KEL-EMC-PF

Grounding Mount, Bracket Version



Type	Fits with	Order No.	Length L1	Length L2	PU
KEL-EMC-PF B4	KEL-E2 KEL-B KEL-U-B KEL-ER-B	39150	68 mm	58 mm	1
KEL-EMC-PF 10	KEL-E3 KEL 10 x KEL-U 10 x KEL-ER 10 x	39160	93 mm	83 mm	1
KEL-EMC-PF 16	KEL-E4 KEL 16 x KEL-U 16 x KEL-ER 16 x	39170	113 mm	103 mm	1
KEL-EMC-PF 24	KEL-E5 KEL 24 x KEL-U 24 x KEL-ER 24 x KEL-DPZ 24 x KEL-DPZ-E	39180	140 mm	130 mm	1

Product Description

The EMC bracket combined with the matching PFS|SKL EMC shield clamp is perfect in conjunction with the KEL cable entry frame for alleviating interferences due to shields.

The EMC clamp is assembled inside the control panel. For this process the same fixing screws for the assembly of the KEL frame on the control panel are used. A female screw thread M5 is already integrated in the KEL-EMC-PF bracket.

Depending on the cable diameter, the corresponding PFS|SKL EMC shield clamp can be snapped onto the EMC bracket.

Advantages & Benefits

- Supports a wide range of cable and wire sizes
- Large surface contact of the cable shield
- Permanent spring pressure on the cable shield
- Fast and easy assembly

Specifications

Material Carbon steel, galvanically zinc plated

Compatible with

KEL-U Cable entry frames	8 - 14
KEL-ER Cable entry frames	9 - 17
KEL Cable entry frames	16 - 27
KEL-QUICK Cable entry frames	50 - 51
KEL-BES Brush frames	57
KEL-DPU Cable entry plates	62 - 63
KEL-DPZ Cable entry plates	64 - 67
PFSZ SKL Shield clamps	100
PFS SKL Shield clamps	101

KEL-EMC

Grounding Mount



Product Description

Installation of pre-terminated cables without shield interruption.

Advantages & Benefits

- Direct, easy and quick contact to the enclosure
- Space saving, usable for up to 10 cables with the two row model
- Replacement for EMC cable glands, even for pre-terminated cables
- Low resistance shield contact

Specifications

Material **Stainless steel**

Compatible with

KEL-U Cable entry frames	8 - 14
KEL-ER Cable entry frames	9 - 17
KEL Cable entry frames	16 - 27
KEL-QUICK Cable entry frames	50 - 51

Type	Order No.	No. of teeth	Fastening	Fits with	PU
KEL-EMC-B	36520	2	long side	KEL-E2 KEL(-U)-B x KEL-ER-B x KEL-QUICK-B2 B4	5
KEL-EMC 10	36522	3	long side	KEL-E3 KEL(-U) 10 x KEL-ER 10 x	5
KEL-EMC 16 4	36524	4	long side	KEL-E4 KEL(-U) 16 x KEL-ER 16 x KEL-QUICK 16	5
KEL-EMC 24 5	36526	5	long side	KEL-E5 KEL(-U) 24 x KEL-ER 24 x KEL-QUICK 24	5
KEL-EMC F	39110	3	narrow side	KEL(-U)-B x KEL-ER-B x KEL(-U) 10 x KEL-ER 10 x KEL(-U) 16 x KEL-ER 16 x KEL(-U) 24 x KEL-ER 24 x	5